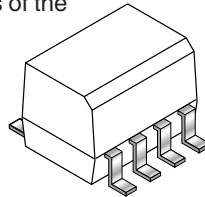


DESCRIPTION

The FOD2712 Optically Isolated Amplifier consists of the popular RC431A precision programmable shunt reference and an optocoupler. The optocoupler is a gallium arsenide (GaAs) light emitting diode optically coupled to a silicon phototransistor. The reference voltage tolerance is 1%. The current transfer ratio (CTR) ranges from 100% to 200%.



It is primarily intended for use as the error amplifier/reference voltage/optocoupler function in isolated ac to dc power supplies and dc/dc converters.

When using the FOD2712, power supply designers can reduce the component count and save space in tightly packaged designs. The tight tolerance reference eliminates the need for adjustments in many applications.

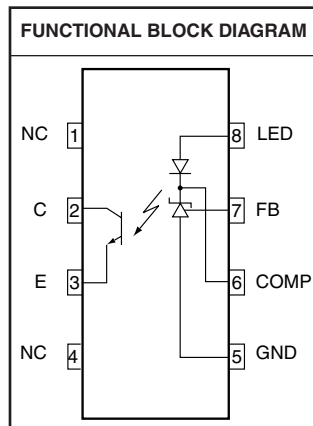
The device comes in a compact 8-pin small outline package.

FEATURES

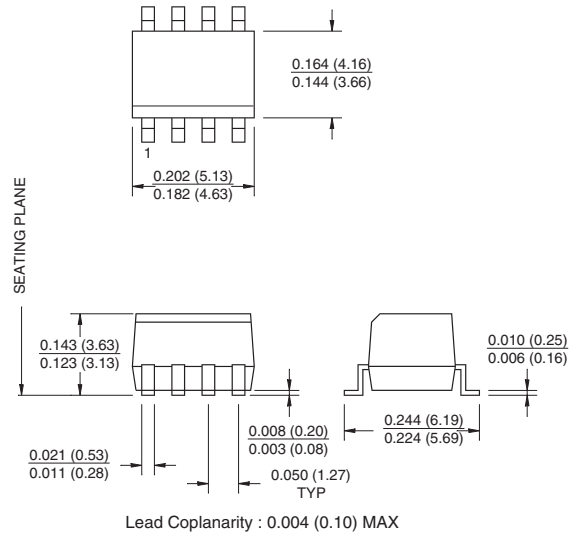
- Optocoupler, precision reference and error amplifier in single package
- 1.240V ± 1% reference
- CTR 100% to 200%
- 2,500V RMS isolation
- VDE approval 136616
- BSI approval 8661 and 8662
- UL approval E90700
- CSA approval 1113643

APPLICATIONS

- Power system for workstations
- Telecom central office supply
- Telecom bricks



PACKAGE DIMENSIONS



NOTE
All dimensions are in inches (millimeters)

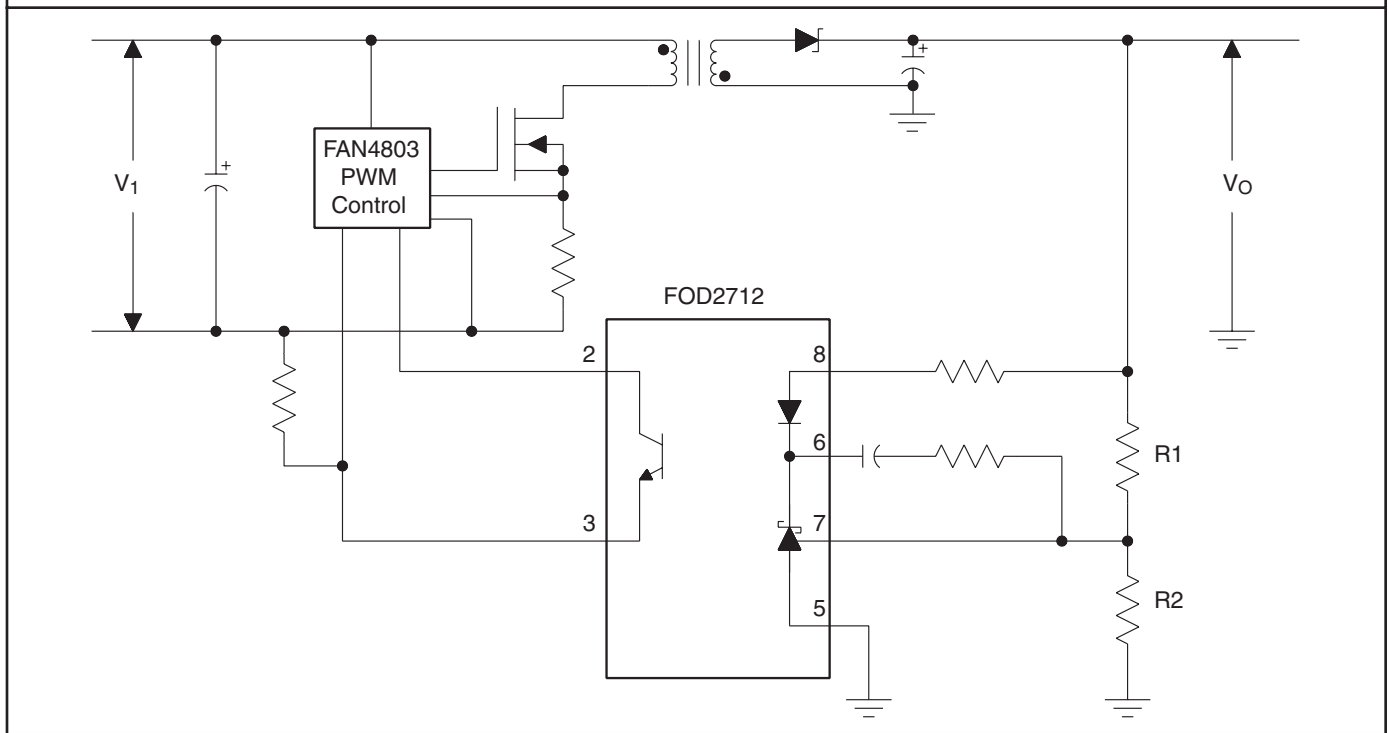
PIN DEFINITIONS

| Pin Number | Pin Name | Pin function description |
|------------|----------|--|
| 1 | NC | Not connected |
| 2 | C | Phototransistor Collector |
| 3 | E | Phototransistor Emitter |
| 4 | NC | Not connected |
| 5 | GND | Ground |
| 6 | COMP | Error Amplifier Compensation. This pin is the output of the error amplifier. * |
| 7 | FB | Voltage Feedback. This pin is the inverting input to the error amplifier |
| 8 | LED | Anode LED. This pin is the input to the light emitting diode. |

* The compensation network must be attached between pins 6 and 7.

FOD2712

TYPICAL APPLICATION



ABSOLUTE MAXIMUM RATINGS ($T_A = 25^\circ\text{C}$ Unless otherwise specified.)

| Parameter | Symbol | Value | Units |
|---|-----------|-------------|------------------|
| Storage Temperature | T_{STG} | -55 to +125 | $^\circ\text{C}$ |
| Operating Temperature | T_{OPR} | -40 to +85 | $^\circ\text{C}$ |
| Reflow Temperature Profile (refer to fig. 21) | | | |
| Input Voltage | V_{LED} | 13.2 | V |
| Input DC Current | I_{LED} | 20 | mA |
| Collector-Emitter Voltage | V_{CEO} | 30 | V |
| Emitter-Collector Voltage | V_{ECO} | 7 | V |
| Collector Current | I_C | 50 | mA |
| Input Power Dissipation (note 1) | PD1 | 145 | mW |
| Transistor Power Dissipation (note 2) | PD2 | 85 | mW |
| Total Power Dissipation (note 3) | PD3 | 145 | mW |

Notes

1. Derate linearly from 25°C at a rate of $2.42 \text{ mW}/^\circ\text{C}$
2. Derate linearly from 25°C at a rate of $1.42 \text{ mW}/^\circ\text{C}$.
3. Derate linearly from 25°C at a rate of $2.42 \text{ mW}/^\circ\text{C}$.
4. Functional operation under these conditions is not implied. Permanent damage may occur if the device is subjected to conditions outside these ratings.

ELECTRICAL CHARACTERISTICS ($V_{CC} = 12V$, $T_A = 25^\circ C$ Unless otherwise specified.)

INPUT CHARACTERISTICS

| Parameter | Test Conditions | Symbol | Min | Typ** | Max | Unit |
|---|--|--|-------|-------|-------|---------|
| LED forward voltage | ($I_{LED} = 10 \text{ mA}$, $V_{COMP} = V_{FB}$)(Fig.1) | V_F | | | 1.5 | V |
| Reference voltage (-40 to +85°C) | ($V_{COMP} = V_{FB}$, $I_{LED} = 10 \text{ mA}$ (Fig.1) | V_{REF} | 1.221 | | 1.259 | V |
| (25°C) | | | 1.228 | 1.240 | 1.252 | |
| Deviation of V_{REF} over temperature - See Note 1 | ($T_A = -40$ to $+85^\circ C$) | $V_{REF} (DEV)$ | | 4 | 12 | mV |
| Ratio of Vref variation to the output of the error amplifier | ($I_{LED} = 10 \text{ mA}$, $V_{COMP} = V_{REF}$ to 12 V) (Fig.2) | $\frac{\Delta V_{REF}}{\Delta V_{COMP}}$ | | -1.5 | -2.7 | mV/V |
| Feedback input current | ($I_{LED} = 10 \text{ mA}$, $R1 = 10 \text{ k}\Omega$) (Fig.3) | I_{REF} | | 0.15 | 0.5 | μA |
| Deviation of I_{REF} over temperature - See Note 1 | ($T_A = -40$ to $+85^\circ C$) | $I_{REF} (DEV)$ | | 0.15 | 0.3 | μA |
| Minimum drive current | ($V_{COMP} = V_{FB}$) (Fig.1) | $I_{LED} (MIN)$ | | 55 | 80 | μA |
| Off-state error amplifier current | ($V_{LED} = 6 \text{ V}$, $V_{FB} = 0$) (Fig.4) | $I_{(OFF)}$ | | 0.001 | 0.1 | μA |
| Error amplifier output impedance - See Note 2 | ($V_{COMP} = V_{FB}$, $I_{LED} = 0.1 \text{ mA}$ to 15 mA , $f < 1 \text{ KHZ}$) | $ Z_{OUT} $ | | 0.25 | | Ohm |

1. The deviation parameters $V_{REF(DEV)}$ and $I_{REF(DEV)}$ are defined as the differences between the maximum and minimum values obtained over the rated temperature range. The average full-range temperature coefficient of the reference input voltage, ΔV_{REF} is defined as:

$$|\Delta V_{REF}|(\text{ppm}/^\circ C) = \frac{\{V_{REF(DEV)}/V_{REF}(T_A = 25^\circ C)\} \times 10^6}{\Delta T_A}$$

where ΔT_A is the rated operating free-air temperature range of the device.

2. The dynamic impedance is defined as $|Z_{OUT}| = \Delta V_{COMP}/\Delta I_{LED}$. When the device is operating with two external resistors (see Figure 2), the total dynamic impedance of the circuit is given by:

$$|Z_{OUT, TOT}| = \frac{\Delta V}{\Delta I} \approx |Z_{OUT}| \times \left[1 + \frac{R1}{R2} \right]$$

OUTPUT CHARACTERISTICS ($T_A = 25^\circ\text{C}$ Unless otherwise specified.)

| Parameter | Test Conditions | Symbol | Min | Typ | Max | Unit |
|-------------------------------------|-------------------------------------|------------|-----|-----|-----|------|
| Collector dark current | ($V_{CE} = 10\text{ V}$) (Fig. 5) | I_{CEO} | | | 50 | nA |
| Collector-emitter voltage breakdown | ($I_C = 1.0\text{ mA}$) | BV_{CEO} | 70 | | | V |
| Emitter-collector voltage breakdown | ($I_E = 100\ \mu\text{A}$) | BV_{ECO} | 7 | | | V |

TRANSFER CHARACTERISTICS ($T_A = 25^\circ\text{C}$ Unless otherwise specified.)

| Parameter | Test Conditions | Symbol | Min | Typ | Max | Unit |
|--------------------------------------|--|---------------|-----|-----|-----|------|
| Current transfer ratio | ($I_{LED} = 10\text{ mA}$, $V_{COMP} = V_{FB}$, $V_{CE} = 5\text{ V}$) (Fig. 6) | CTR | 100 | | 200 | % |
| Collector-emitter saturation voltage | ($I_{LED} = 10\text{ mA}$, $V_{COMP} = V_{FB}$, $I_C = 2.5\text{ mA}$) (Fig. 6) | $V_{CE(SAT)}$ | | | 0.4 | V |

ISOLATION CHARACTERISTICS ($T_A = 25^\circ\text{C}$ Unless otherwise specified.)

| Parameter | Test Conditions | Symbol | Min | Typ | Max | Unit |
|---|--|-----------|------|-----------|-----|---------------|
| Input-output insulation leakage current | ($RH = 45\%$, $T_A = 25^\circ\text{C}$, $t = 5\text{ s}$, $V_{I-O} = 3000\text{ VDC}$) (note. 1) | I_{I-O} | | | 1.0 | μA |
| Withstand insulation voltage | ($RH \leq 50\%$, $T_A = 25^\circ\text{C}$, $t = 1\text{ min}$) (notes. 1) | V_{ISO} | 2500 | | | Vrms |
| Resistance (input to output) | $V_{I-O} = 500\text{ VDC}$ (note. 1) | R_{I-O} | | 10^{12} | | Ohm |

SWITCHING CHARACTERISTICS ($T_A = 25^\circ\text{C}$ Unless otherwise specified.)

| Parameter | Test Conditions | Symbol | Min | Typ | Max | Unit |
|---|--|---------|-----|-----|-----|-------------------|
| Bandwidth | (Fig. 7) | B_W | | 10 | | kHZ |
| Common mode transient immunity at output high | ($I_{LED} = 0\text{ mA}$, $ V_{cm} = 10\text{ V}_{PP}$ $RL = 2.2\text{ k}\Omega$) (Fig. 8) (note. 2) | $ CMH $ | | 1.0 | | kV/ μs |
| Common mode transient immunity at output low | ($I_{LED} = 10\text{ mA}$, $ V_{cm} = 10\text{ V}_{PP}$ $RL = 2.2\text{ k}\Omega$) (Fig. 8) (note. 2) | $ CML $ | | 1.0 | | kV/ μs |

Notes

1. Device is considered as a two terminal device: Pins 1, 2, 3 and 4 are shorted together and Pins 5, 6, 7 and 8 are shorted together.
2. Common mode transient immunity at output high is the maximum tolerable (positive) dV_{cm}/dt on the leading edge of the common mode impulse signal, V_{cm} , to assure that the output will remain high. Common mode transient immunity at output low is the maximum tolerable (negative) dV_{cm}/dt on the trailing edge of the common pulse signal, V_{cm} , to assure that the output will remain low.

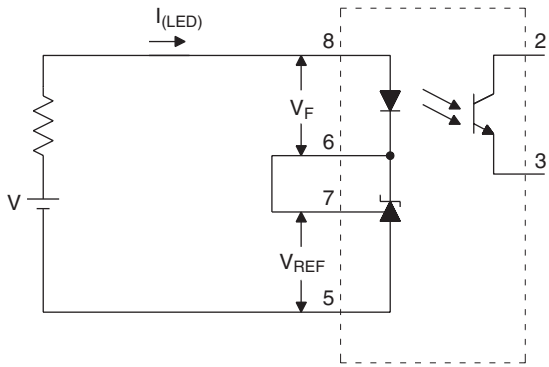


FIG. 1. V_{REF} , V_F , I_{LED} (min) TEST CIRCUIT

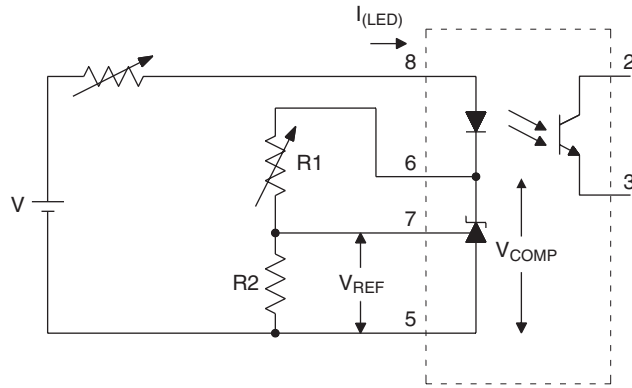


FIG. 2. $\Delta V_{REF}/\Delta V_{COMP}$ TEST CIRCUIT

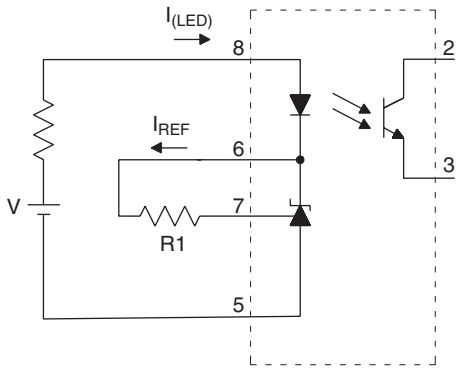


FIG. 3. I_{REF} TEST CIRCUIT

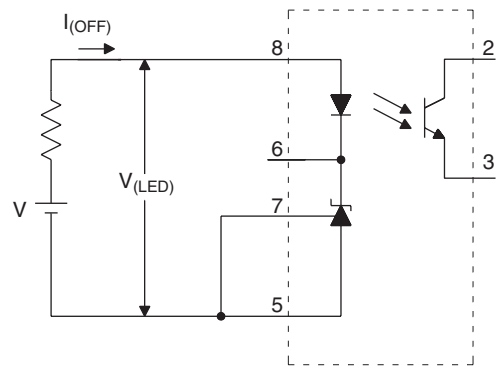


FIG. 4. $I_{(OFF)}$ TEST CIRCUIT

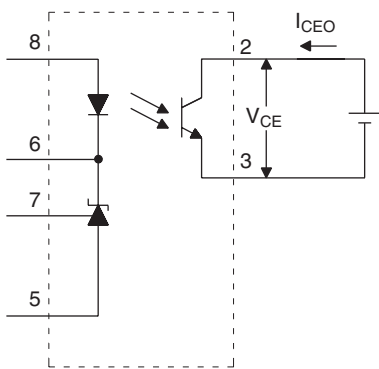


FIG. 5. I_{CEO} TEST CIRCUIT

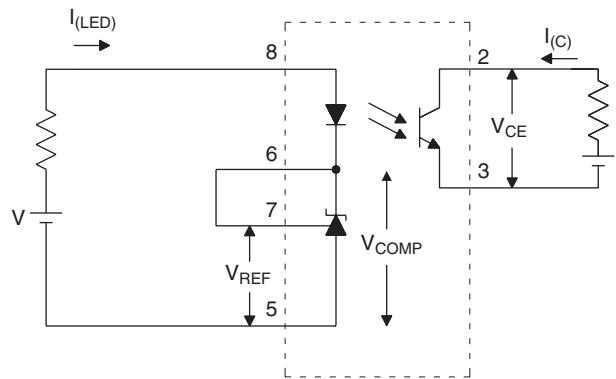


FIG. 6. CTR , $V_{CE(sat)}$ TEST CIRCUIT

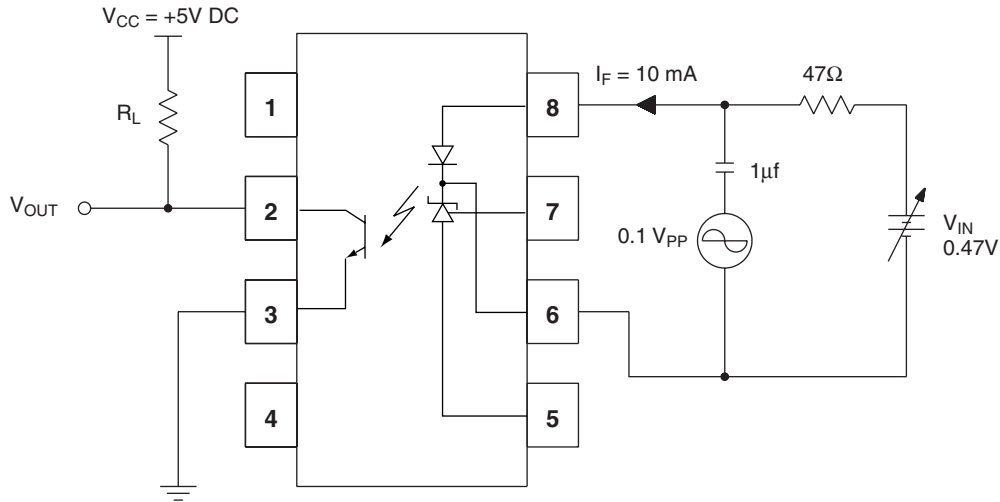


Fig. 7 Frequency Response Test Circuit

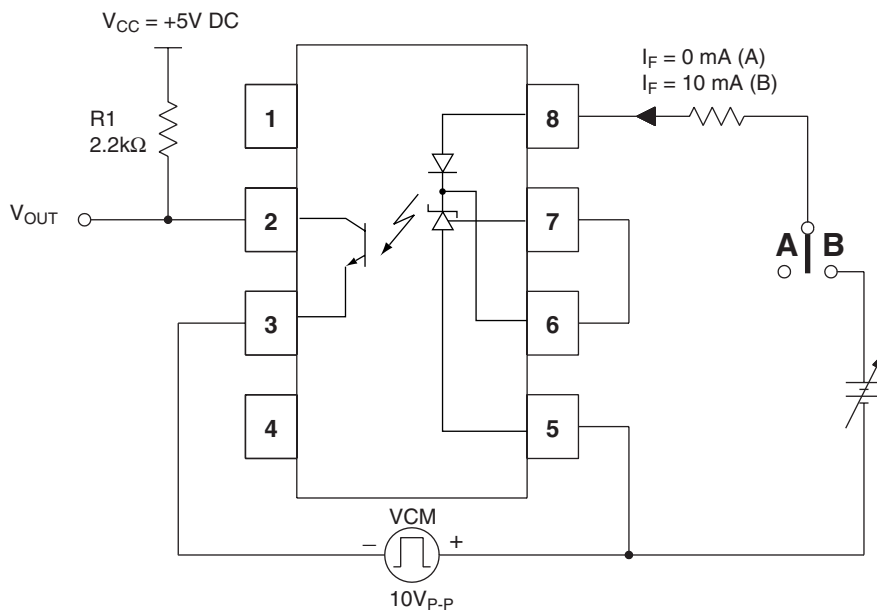


Fig. 8 CMH and CML Test Circuit

TYPICAL PERFORMANCE CURVES

Fig. 9a LED Current vs Cathode Voltage

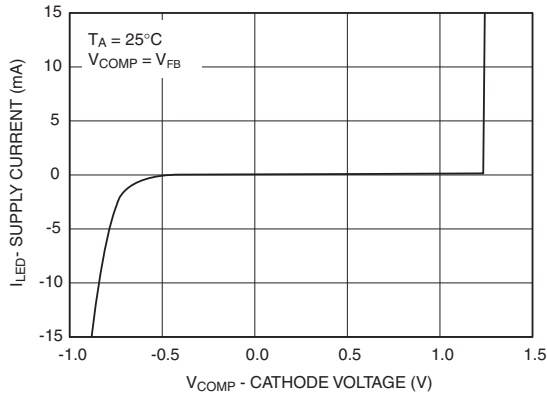


Fig. 9b LED Current vs Cathode Voltage

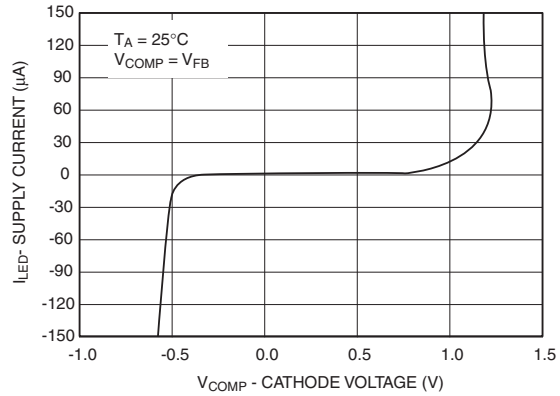


Fig. 10 Reference Voltage vs Ambient Temperature

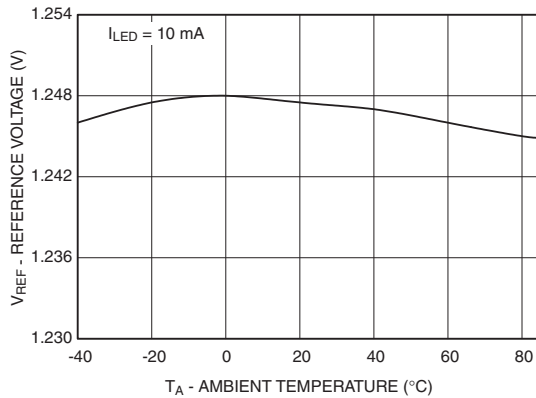


Fig. 11 Reference Current vs Ambient Temperature

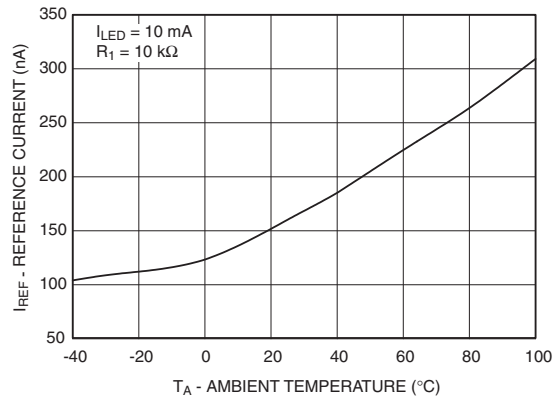


Fig. 12 Off Current vs Ambient Temperature

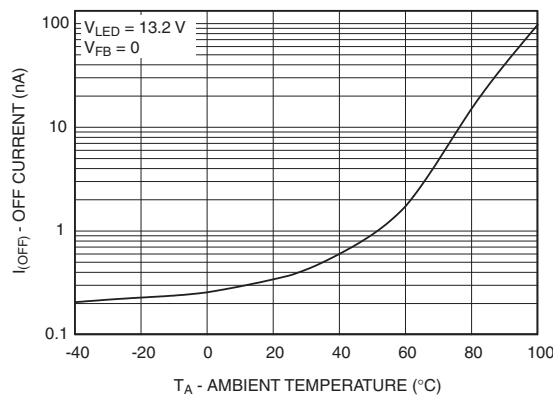


Fig.13 LED Forward Current vs Forward Voltage

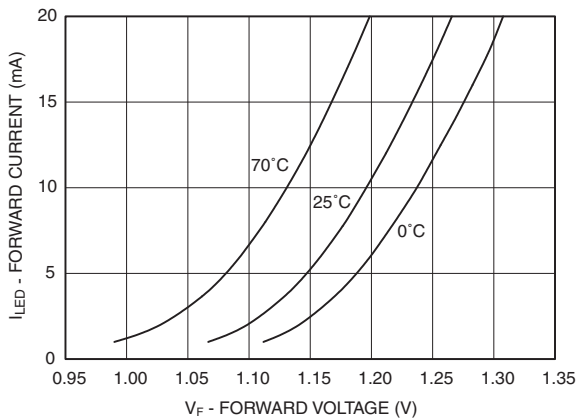


Fig.14 Dark Current vs Temperature

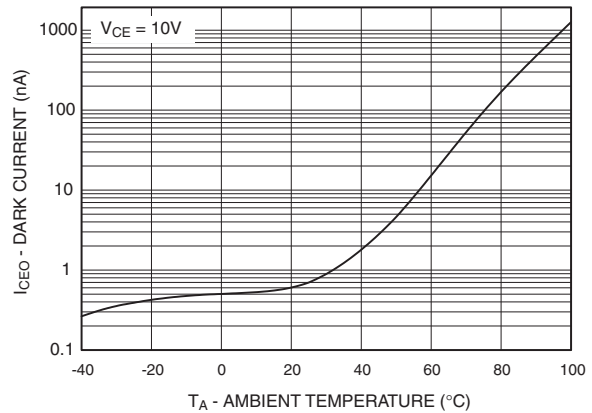


Fig. 15 Collector Current vs Ambient Temperature

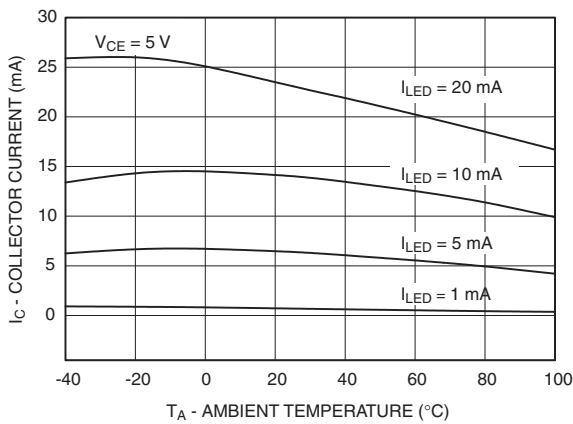


Fig. 16 Current Transfer Ratio vs LED Current

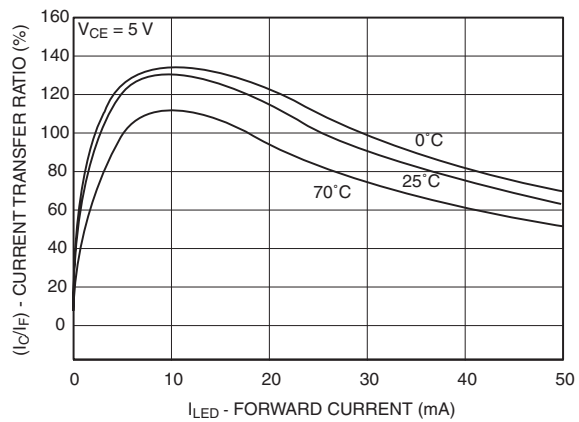


Fig. 17 Saturation Voltage vs Ambient Temperature

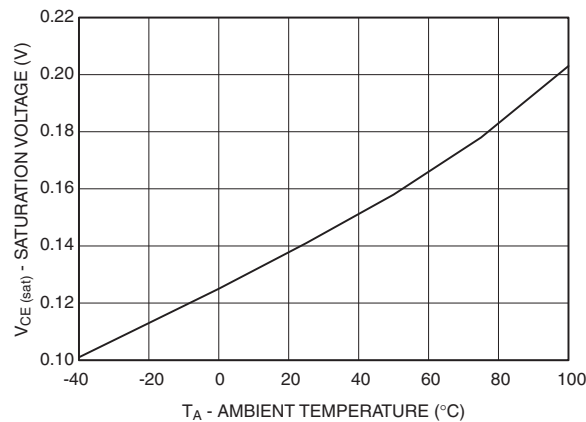


Fig. 18 Collector Current vs Collector Voltage

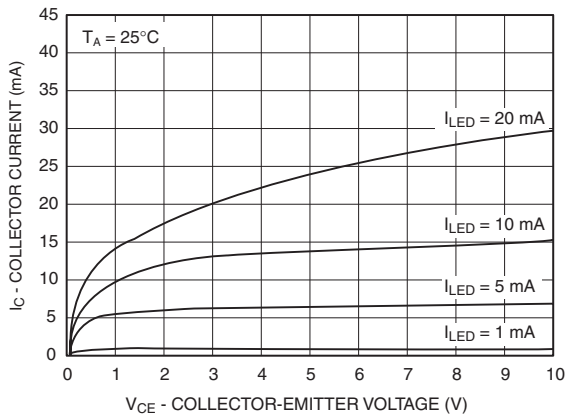


Fig. 19 Delta V_{REF} /Delta V_{COMP} vs Ambient Temperature

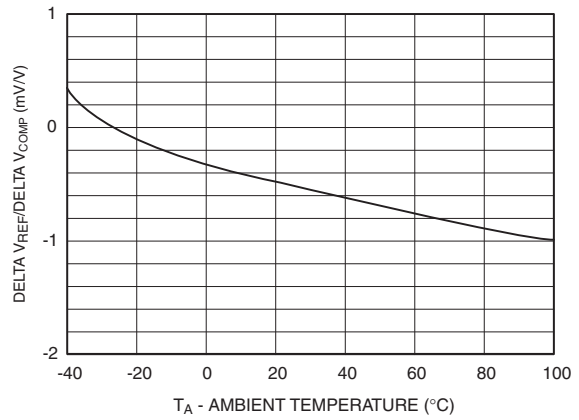
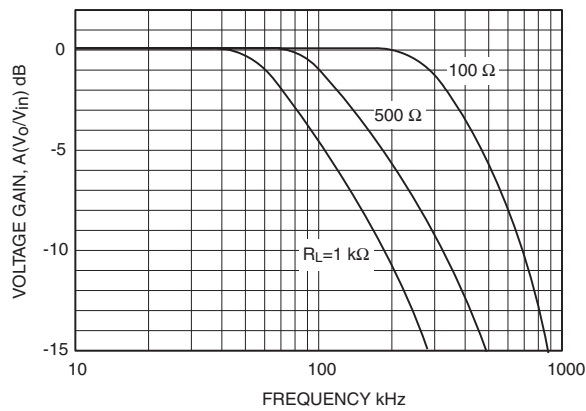


Fig. 20 Voltage Gain Vs Frequency



The FOD2712

The FOD2712 is an optically isolated error amplifier. It incorporates three of the most common elements necessary to make an isolated power supply, a reference voltage, an error amplifier, and an optocoupler. It is functionally equivalent to the popular RC431A shunt voltage regulator plus the CNY17F-3 optocoupler.

Powering the Secondary Side

The LED pin in the FOD2712 powers the secondary side, and in particular provides the current to run the LED. The actual structure of the FOD2712 dictates the minimum voltage that can be applied to the LED pin: The error amplifier output has a minimum of the reference voltage, and the LED is in series with that. Minimum voltage applied to the LED pin is thus $1.24V + 1.5V = 2.74V$. This voltage can be generated either directly from the output of the converter, or else from a slaved secondary winding. The secondary winding will not affect regulation, as the input to the FB pin may still be taken from the output winding.

The LED pin needs to be fed through a current limiting resistor. The value of the resistor sets the amount of current through the LED, and thus must be carefully selected in conjunction with the selection of the primary side resistor.

Feedback

Output voltage of a converter is determined by selecting a resistor divider from the regulated output to the FB pin. The FOD2712 attempts to regulate its FB pin to the reference voltage, 1.24V. The ratio of the two resistors should thus be:

$$\frac{R_{TOP}}{R_{BOTTOM}} = \frac{V_{OUT}}{V_{REF}} - 1$$

The absolute value of the top resistor is set by the input offset current of $0.8\mu A$. To achieve 1% accuracy, the resistance of R_{TOP} should be:

$$\frac{V_{OUT} - 1.24}{R_{TOP}} > 80\mu A$$

Compensation

The compensation pin of the FOD2712 provides the opportunity for the designer to design the frequency response of the converter. A compensation network may be placed between the COMP pin and the FB pin. In typical low-bandwidth systems, a $0.1\mu F$ capacitor may be used. For converters with more stringent requirements, a network should be designed based on measurements of the system's loop. An excellent reference for this process may be found in "Practical Design of Power Supplies" by Ron Lenk, IEEE Press, 1998.

Secondary Ground

The GND pin should be connected to the secondary ground of the converter.

No Connect Pins

The NC pins have no internal connection. They should not have any connection to the secondary side, as this may compromise the isolation structure.

Photo-Transistor

The Photo-transistor is the output of the FOD2712. In a normal configuration the collector will be attached to a pull-up resistor and the emitter grounded. There is no base connection necessary.

The value of the pull-up resistor, and the current limiting resistor feeding the LED, must be carefully selected to account for voltage range accepted by the PWM IC, and for the variation in current transfer ratio (CTR) of the opto-isolator itself.

Example: The voltage feeding the LED pins is +12V, the voltage feeding the collector pull-up is +10V, and the PWM IC is the Fairchild KA1H0680, which has a 5V reference. If we select a $10K\Omega$ resistor for the LED, the maximum current the LED can see is $(12V - 2.74V) / 10K\Omega = 926\mu A$. The CTR of the opto-isolator is a minimum of 100%, and so the minimum collector current of the photo-transistor when the diode is full on is also $926\mu A$. The collector resistor must thus be such that:

$$\frac{10V - 5V}{R_{COLLECTOR}} < 926\mu A \text{ or } R_{COLLECTOR} > 5.4K\Omega;$$

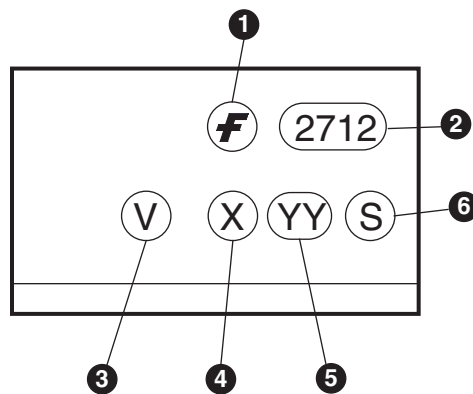
select $10K\Omega$ to allow some margin.

ORDERING INFORMATION

Example: FOD2712 X Y

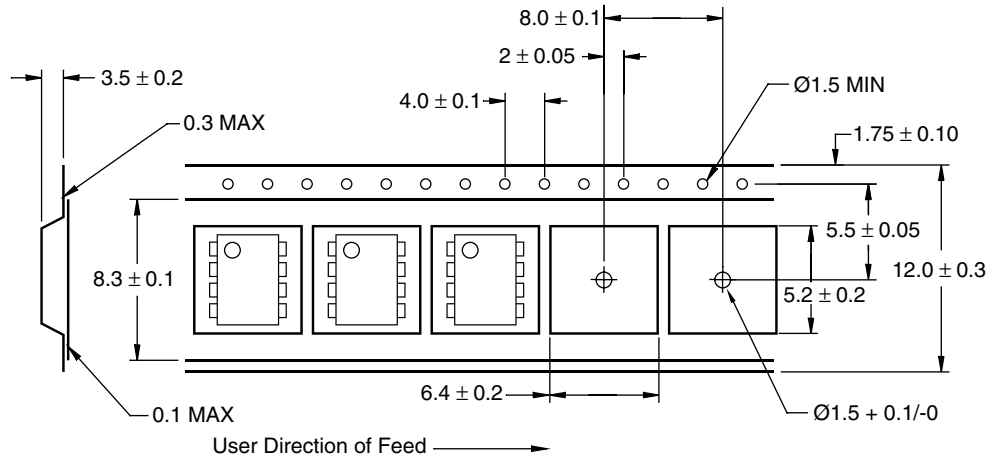
| | |
|------------------------------------|--------------|
| X | Y |
| Packaging Option | |
| R1: Tape and Reel (500 per reel) | V:VDE tested |
| R2: Tape and Reel (2,500 per reel) | |

MARKING INFORMATION

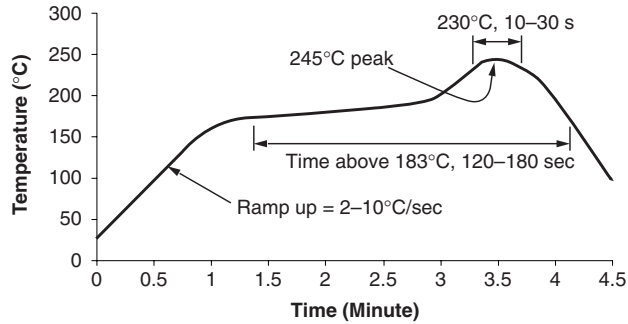


| Definitions | |
|-------------|--|
| 1 | Fairchild logo |
| 2 | Device number |
| 3 | VDE mark (Note: Only appears on parts ordered with VDE option – See order entry table) |
| 4 | One digit year code, e.g., '3' |
| 5 | Two digit work week ranging from '01' to '53' |
| 6 | Assembly package code |

Carrier Tape Specifications



Reflow Profile



- Peak reflow temperature: 245°C (package surface temperature)
- Time of temperature higher than 183°C for 120–180 seconds
- One time soldering reflow is recommended

DISCLAIMER

FAIRCHILD SEMICONDUCTOR RESERVES THE RIGHT TO MAKE CHANGES WITHOUT FURTHER NOTICE TO ANY PRODUCTS HEREIN TO IMPROVE RELIABILITY, FUNCTION OR DESIGN. FAIRCHILD DOES NOT ASSUME ANY LIABILITY ARISING OUT OF THE APPLICATION OR USE OF ANY PRODUCT OR CIRCUIT DESCRIBED HEREIN; NEITHER DOES IT CONVEY ANY LICENSE UNDER ITS PATENT RIGHTS, NOR THE RIGHTS OF OTHERS.

LIFE SUPPORT POLICY

FAIRCHILD'S PRODUCTS ARE NOT AUTHORIZED FOR USE AS CRITICAL COMPONENTS IN LIFE SUPPORT DEVICES OR SYSTEMS WITHOUT THE EXPRESS WRITTEN APPROVAL OF THE PRESIDENT OF FAIRCHILD SEMICONDUCTOR CORPORATION. As used herein:

1. Life support devices or systems are devices or systems which, (a) are intended for surgical implant into the body, or (b) support or sustain life, and (c) whose failure to perform when properly used in accordance with instructions for use provided in the labeling, can be reasonably expected to result in a significant injury of the user.
2. A critical component in any component of a life support device or system whose failure to perform can be reasonably expected to cause the failure of the life support device or system, or to affect its safety or effectiveness.